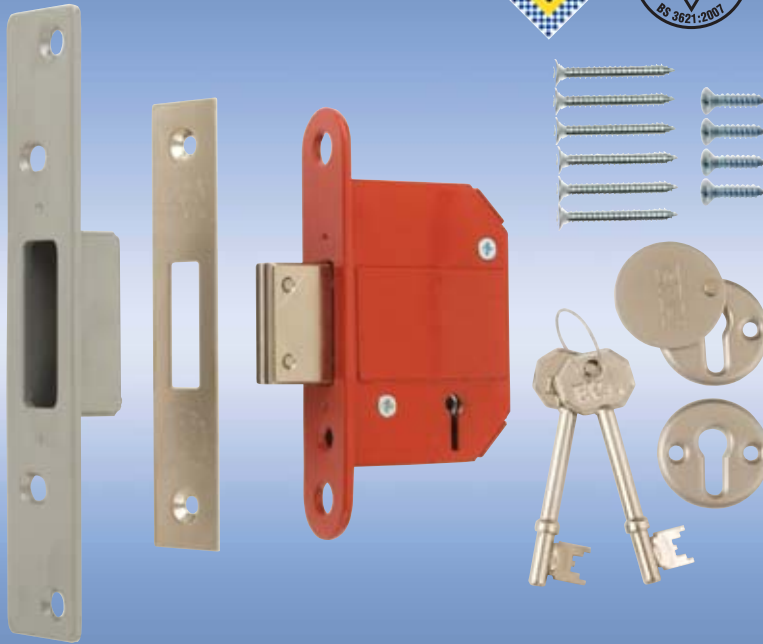


BS3621:2007



BRITISH STANDARD
HIGH SECURITY FORTRESS
MORTICE LOCK



HIGH SECURITY FORTRESS MORTICE DEADLOCK



HIGH SECURITY FORTRESS MORTICE SASHLOCK

This **5 lever British Standard High Security Mortice Lock** to BS3621:2007 standard meets the exacting demands of the insurance companies and the Police.

Higher security levels are delivered by a 20mm bolt throw on every lock, and both the Sashlock and Deadlock have hardened steel plates to resist drilling, and two hardened steel plates in the deadbolt resist hacksawing

The Fortress Sashlock features a latch bolt which can be easily reversed without the removal of the lock cover.

The keys have 1,000 variations for added security. All steel levers have false notching to resist lock picking.

The Fortress Rebates are available in two sizes 12.7mm (1/2") and 25.4mm (1") - with a choice of either Brass effect, Satin or Chrome effect finishes to match the forends. The Sashlock rebates are non-handed and come complete with full fitting instructions.

ORDERING DETAILS

Deadlock

Brass Effect 64mm (2 1/2")	261-31
Satin 64mm (2 1/2")	261-51
Chrome Effect 64mm (2 1/2")	261-61
Brass Effect 76mm (3")	361-31
Satin 76mm (3")	361-51
Chrome Effect 76mm (3")	361-61

Sashlock

Brass Effect 64mm (2 1/2")	262-31
Satin 64mm (2 1/2")	262-51
Chrome Effect 64mm (2 1/2")	262-61
Brass Effect 76mm (3")	362-31
Satin 76mm (3")	362-51
Chrome Effect 76mm (3")	362-61

All the above products are also available Clam-packed

Spare Keys -

Cut key	502-56
Key blank	602-56

Deadlock Rebates

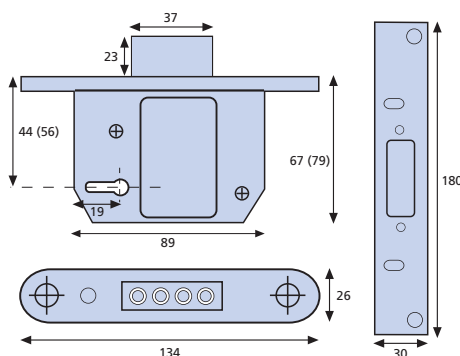
Brass Effect 12.7mm (1/2")	426-31
Satin 12.7mm (1/2")	426-51
Chrome Effect 12.7mm (1/2")	426-61
Brass Effect 25.4mm (1")	427-31
Satin 25.4mm (1")	427-51
Chrome Effect 25.4mm (1")	427-61

Sashlock Rebates

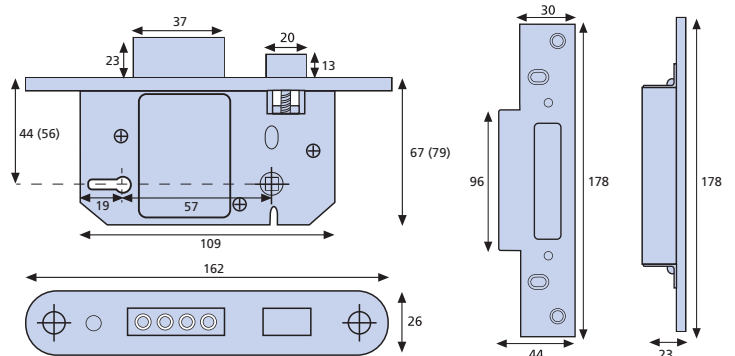
Brass Effect 12.7mm (1/2")	428-31
Satin 12.7mm (1/2")	428-51
Chrome Effect 12.7mm (1/2")	428-61
Brass Effect 25.4mm (1")	429-31
Satin 25.4mm (1")	429-51
Chrome Effect 25.4mm (1")	429-61

Locksmith Kit **502102-00**

Deadlock



Sashlock



All dimensions in mm.